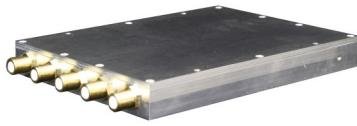




SCP-2563

RF Engineering &
Custom Build

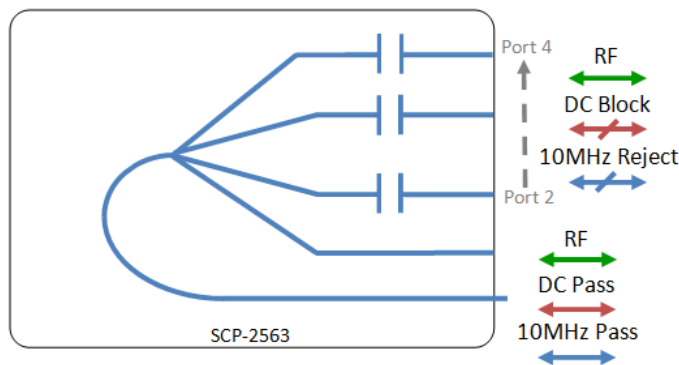
Scorpion Series 4-way L-band passive splitter/combiner



SCP-2563 is 4-way Passive L Band splitter or combiner. This model has 10MHz and DC pass on Port 1 and common port All other ports are 10 MHz and DC blocked All ports are located on the rear of the unit. This module can be used as a standalone component or can be fitted to a 1U rack mount chassis Model number SCP-1U-11.

This component is available with the following RF connector options: 50 Ω SMA, N-type, BNC and 75Ω BNC or F-type.

Vector diagram



RF Parameters

SCP-2563-xxxx	S5S5	N5N5	B5B5	B7B7	F7F7
Frequency Range	850-2150 MHz	850-2150 MHz	850-2150 MHz	850-2150 MHz	850-2150 MHz
RF Connectors	50Ω SMA	50Ω N-Type	50Ω BNC	75Ω BNC	75Ω F-Type
Insertion Loss	1.5 dB typ	1.5 dB typ	1.8 dB typ	2.0 dB typ	2.0 dB typ
	2.5 dB max	2.5 dB max	2.8 dB max	3.0 dB max	3.0 dB max
Flatness	± 1.2 dB	± 1.2 dB	± 1.4 dB	± 1.7 dB	± 1.7 dB
Input Return Loss	15 dB typ	15 dB typ	14 dB typ	12 dB typ	12 dB typ
	10 dB min	10 dB min	10 dB min	8 dB min	8 dB min
Output Return Loss	20 dB typ	20dB typ	18 dB typ	12 dB typ	12 dB typ
	15 dB min	15 dB min	12 dB min	8 dB min	8 dB min
Isolation Typical (dB)	20	20	20	20	20
Phase & Amplitude Misalignment	3Φ	4Φ	4Φ	10Φ	10Φ
	0.3dB	0.5dB	0.5dB	1.0dB	1.0dB

* The quoted insertion loss is loss above theoretical due to power split. For 4-way splitters theoretical value is 6dB. 10 MHz insertion loss is 3dB max above the theoretical. Typical values may vary between different production batches.

BROADCAST



MARINE OIL & GAS



SNG & VSAT



SATELLITE TELEPORT





Scorpion Series 4-way L-band passive splitter/combiner

Environmental

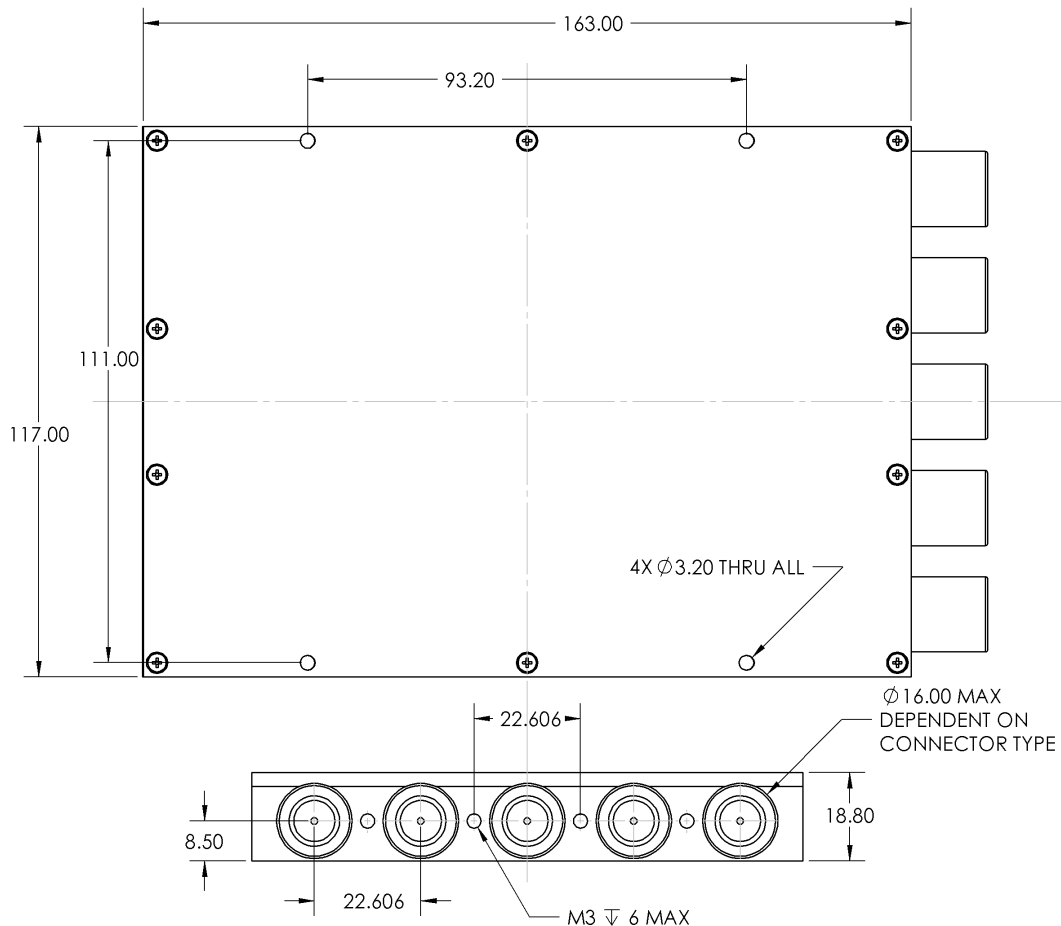
Operating Temperature	0°C to 45°C
Storage Temperature	-20°C to +75°C
Location	Indoor use Only
Humidity	85% non-condensing
Altitude	10,000 feet

Max Operating Parameters

Input RF Power	+34 dBm (2.5W) As Splitter
Input RF Power	+27 dBm (0.5W) As Combiner
DC Voltage	35V on any RF port
DC Current	1 A Max total Current

! Operation beyond these limits may cause instantaneous and permanent damage.

Physical dimensions





Scorpion Series 4-way L-band passive splitter/combiner

Feature set for alternative Passive L-band Scorpion Series splitters/combiners

Model Number	Frequency (MHZ)	DC Pass/Block	10MHz Pass/Block
Passive 2-ways			
SCP-2502	850-2150	DC pass on ALL ports	10 MHz pass on ALL ports
SCP-2603	850-2150	DC block on ALL ports	10MHz block on ALL ports
SCP-2543	850-2150	DC pass on common port and on Port 1 DC block on the rest	10 MHz pass on common port and on Port 1 10MHz block on the rest
Passive 4-ways			
SCP-2504	850-2150	DC pass on ALL ports	10 MHz pass on ALL ports
SCP-2594	850-2150	DC block on ALL ports	10MHz block on ALL ports
SCP-2563	850-2150	DC pass on common port and on Port 1 DC block on the rest	10 MHz pass on common port and on Port 1 10MHz block on the rest
Passive 8-ways			
SCP-2508	850-2150	DC pass on ALL ports	10 MHz pass on ALL ports
SCP-2591	850-2150	DC block on ALL ports	10MHz block on ALL ports
SCP-2564	850-2150	DC pass on common port and on Port 1 DC block on the rest	10 MHz pass on common port and on Port 1 10MHz block on the rest

* Custom designs available on request

ETL SYSTEMS LIMITED
 Coldwell Radio
 Station
 Madley
 Hereford
 England HR2 9NE

TELEPHONE
 +44 (0)1981 259020

EMAIL
 info@etlsystems.com

FACSIMILE
 +44 (0)1981 259021

WEB
 www.etlsystems.com



V 1.0 E&OE